

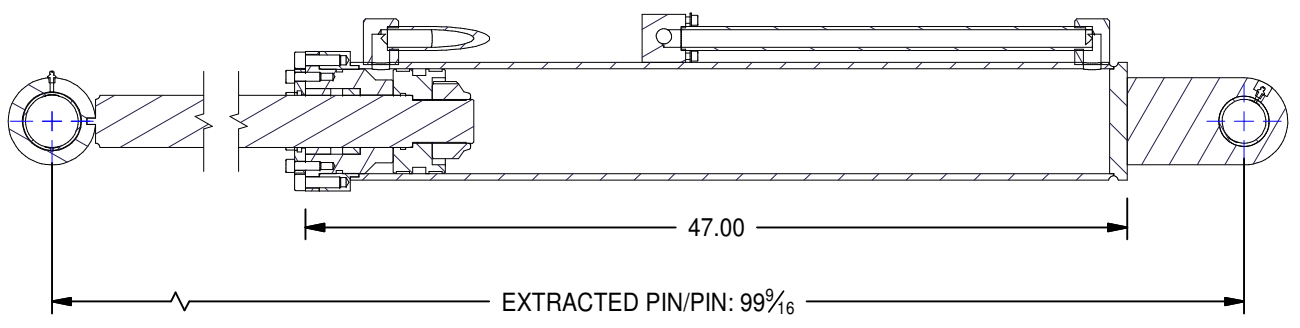
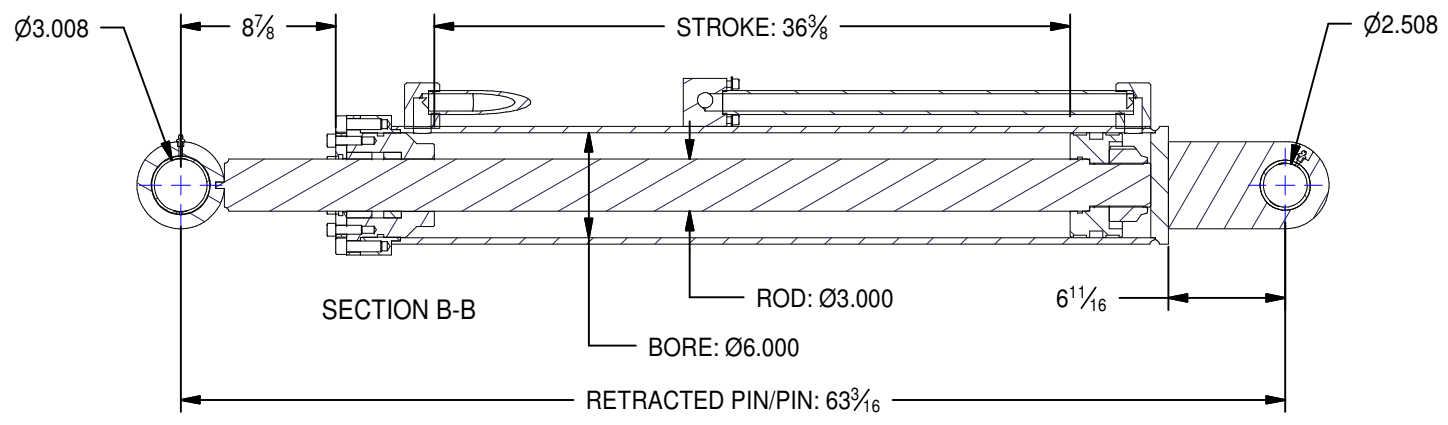
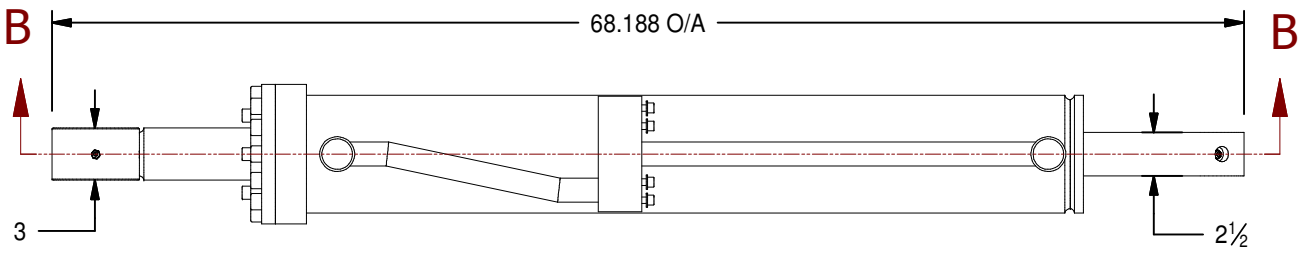
1

2

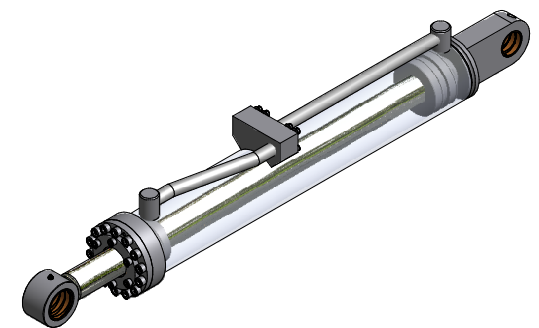
APPROVED BY:


NAME: _____

DATE: _____



SECTION C-C



MODEL NUMBER:		PROJECT/CUSTOMER INFO:		DSGND: Owner	DATE: 26/04/2011
 TITAN WORLDWIDE INC. <small>31 Bay Street, Toronto, Ontario M5J 2R1, Canada</small> <small>PHONE: 416-474-5337 FAX: 416-474-5332 EMAIL: info@titanworldwide.com WEB: www.titanworldwide.com</small>		CAPACITY			
		WEIGHT: 241.551 lbmass			
SHEET SIZE: A	SHEET: 1 OF 1	FILENAME: TBH_4408 P.idw			
TITLE: DUMP CYLINDER - 29500460 PROPOSAL DRAWING					
DRAWING No: TBH_4408 ASSEMBLY					REVISION:

DATE	INITL	DESCRIPTION	REV

1

2