

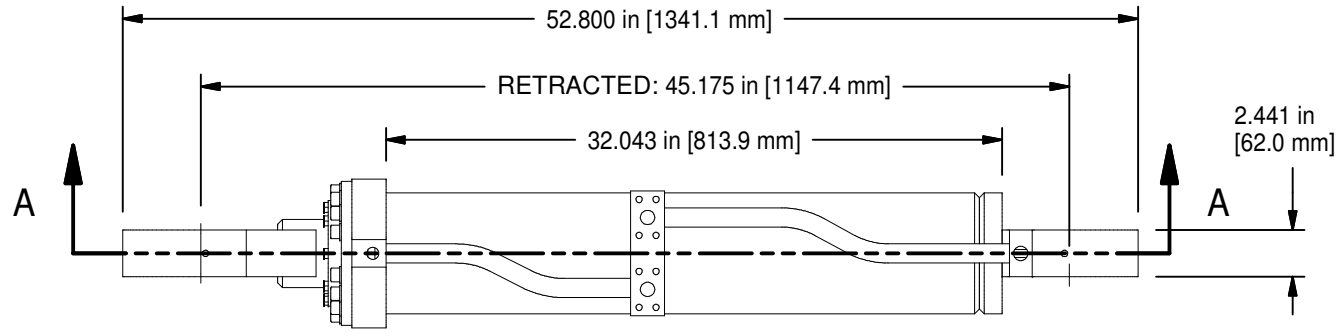
1

2

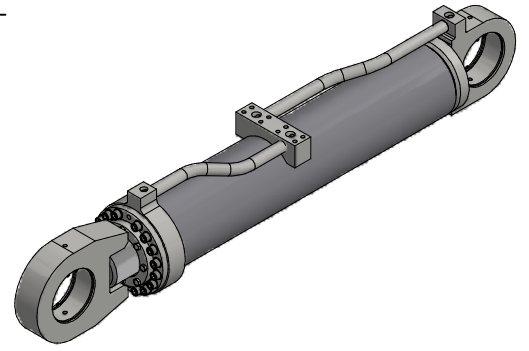
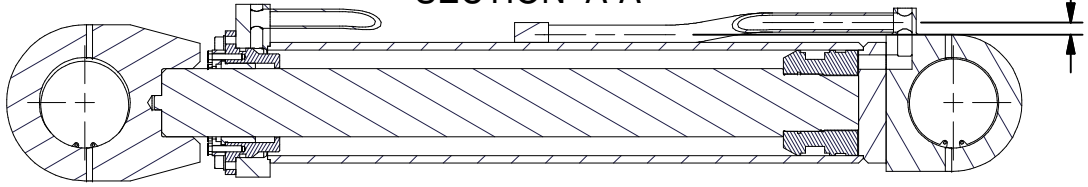
APPROVED BY:

NAME: _____

DATE: _____



SECTION A-A



EXTENDED: 71.375 in [1812.9 mm]

STROKE: 26.201 in [665.5 mm]

Ø3.543 in [90.0 mm] IHCS

Ø7.750

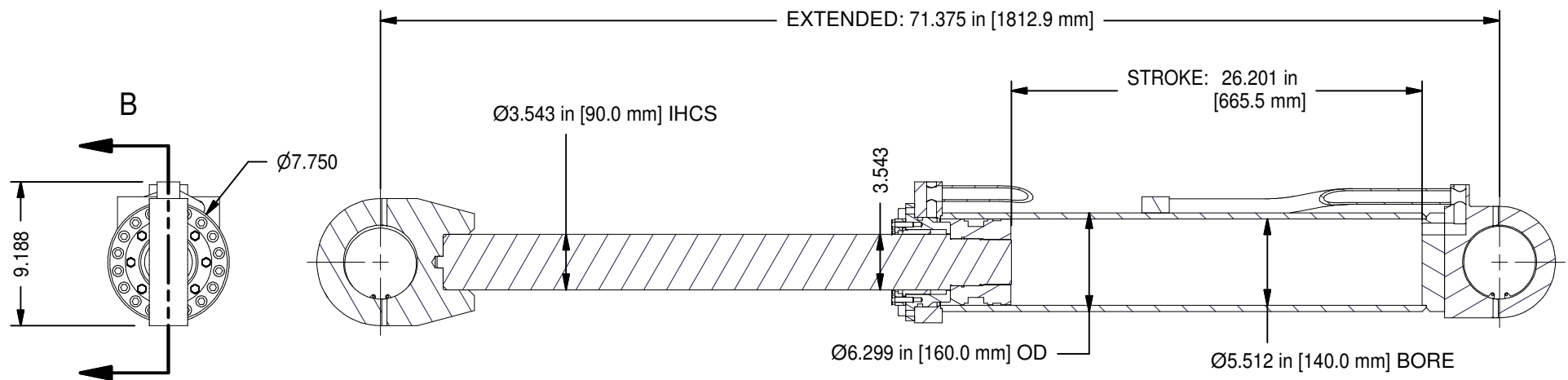
9.188

3.543

Ø6.299 in [160.0 mm] OD

Ø5.512 in [140.0 mm] BORE

SECTION B-B



MODEL No:	MASTER No:	CAPACITY:
PROJECT/CUSTOMER INFO: GC CAMPBELL MINE		DSGND: FRANK DATE: 5/22/2008
CHKD:		DATE:
WEIGHT: 278.76 lbmass		
SHEET SIZE: A	SHEET: 1 OF 15	FILENAME: TBH_4550.iam
TITLE: TORO HOIST CYL ASSEMBLY		
DRAWING No: TBH_4550.idw		REVISION: A

DATE	INITL	DESCRIPTION	REV

1

2