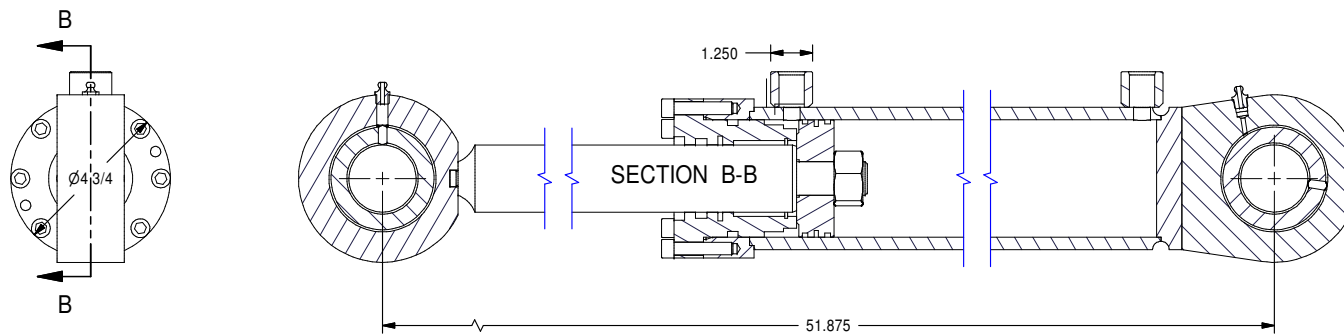
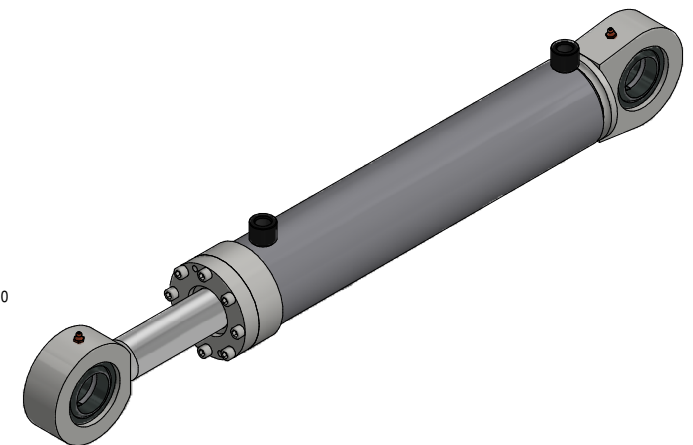
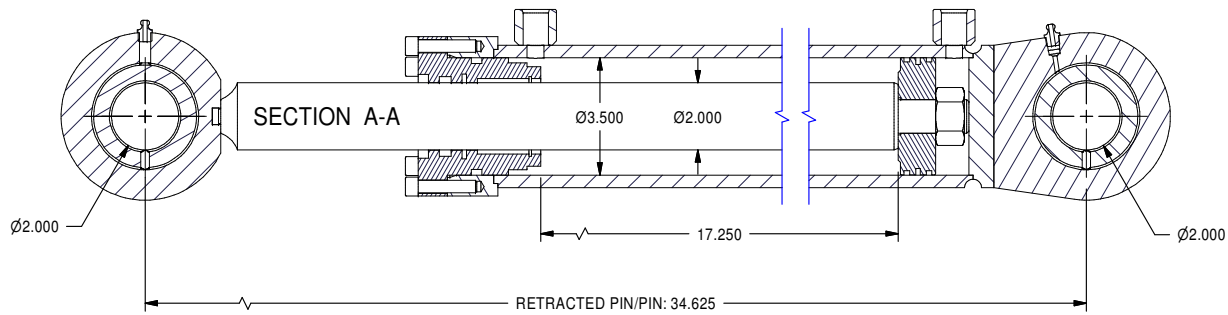


**APPROVED BY:**

NAME: \_\_\_\_\_

DATE: \_\_\_\_\_



MODEL No:	MASTER No:	CAPACITY:
PROJECT/CUSTOMER REF ID:		ORDER# FT DATE: 02/2008
MOBILE PARTS:		CHKD: DATE:
BORE: 3 1/2", ROD: 2"		WEIGHT: 0.09 lbmass
STROKE: 17 1/4"		
SHEET:	SHEET:	FILENAME: TBH_4564.idw
SIZE:	1 OF 9	
TITLE: HYD CYL ASSEMBLY		
DRAWING No:		REVISION:
TBH_4564.idw		A

DATE	INTL	DESCRIPTION	REV