

1

2

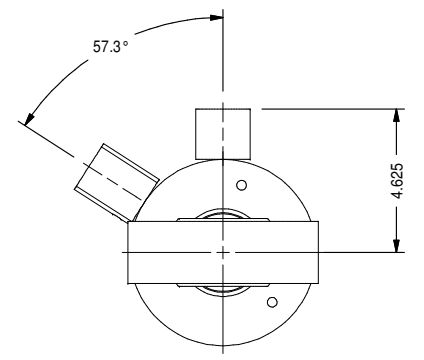
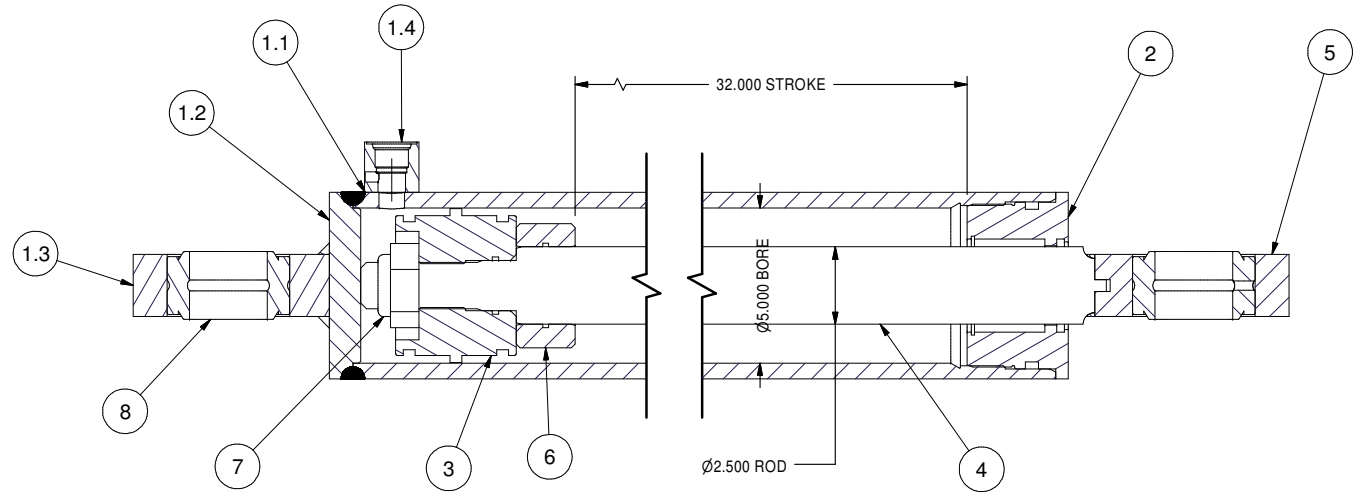
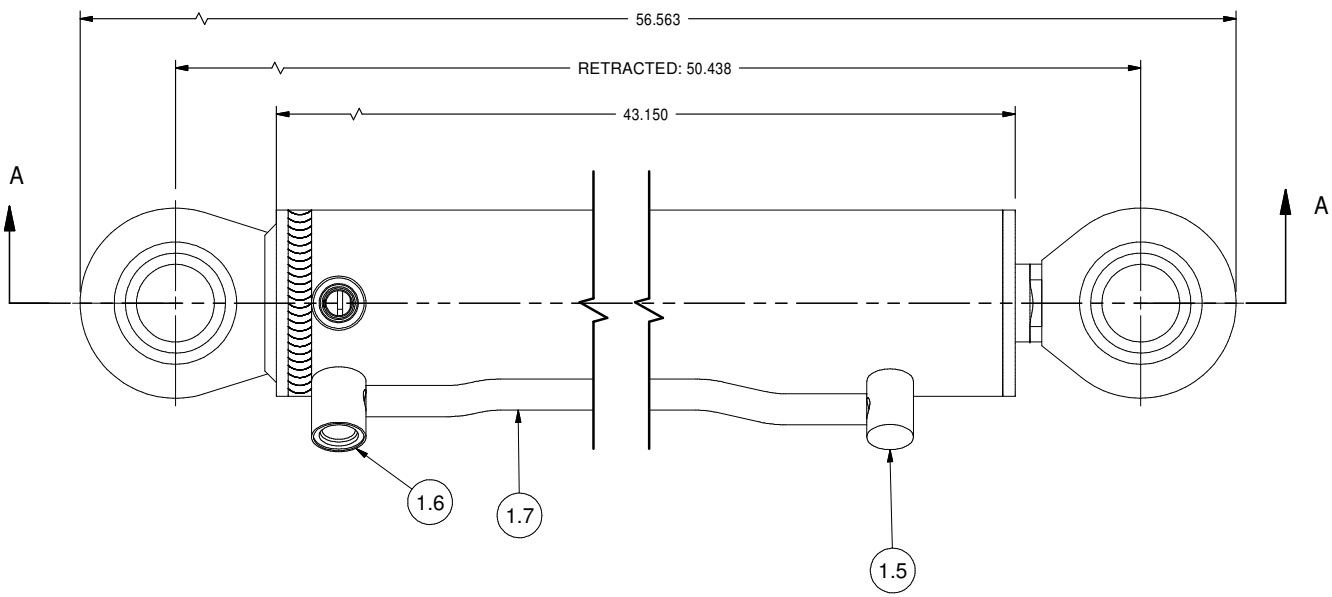
3

4

PLEASE PENCIL IN INFORMATION BEFORE SHOP RELEASE!

WORK ORDER #

QUANTITY REQD:



MODEL No:	MASTER No:	CAPACITY:
PROJECT/CUSTOMER REF ID:	ORDER FT	DATE: 07/2008
MOBILE PARTS INC.	CHKD:	DATE:
BORE: 5", OD: 6",	WEIGHT: 235.75 lbmass	
STROKE: 32"	FILENAME: TBH_4597.idw	
SHEET: B SHEET 1 OF 15		
TITLE: JDT426 STEERING CYL ASSEMBLY		
DRAWING No:		REVISION:
TBH_4597.idw		A

DATE	INTL	DESCRIPTION	REV

1

2

3

4