

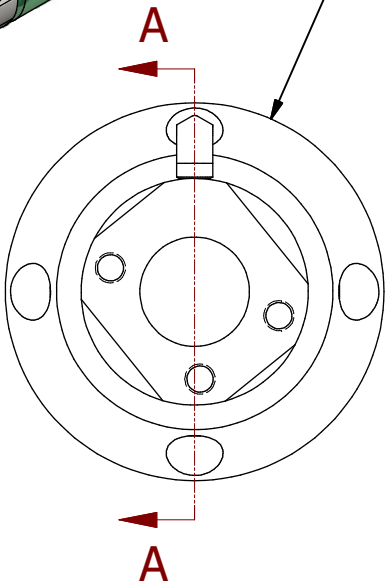
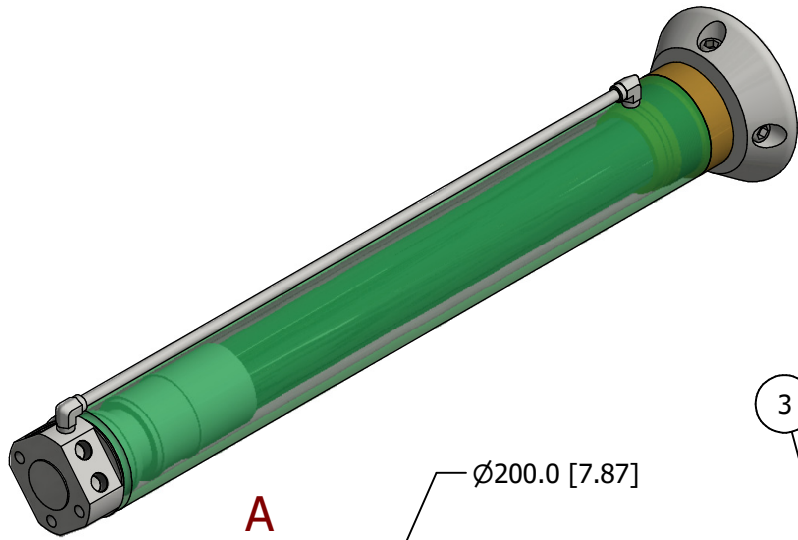
1

2

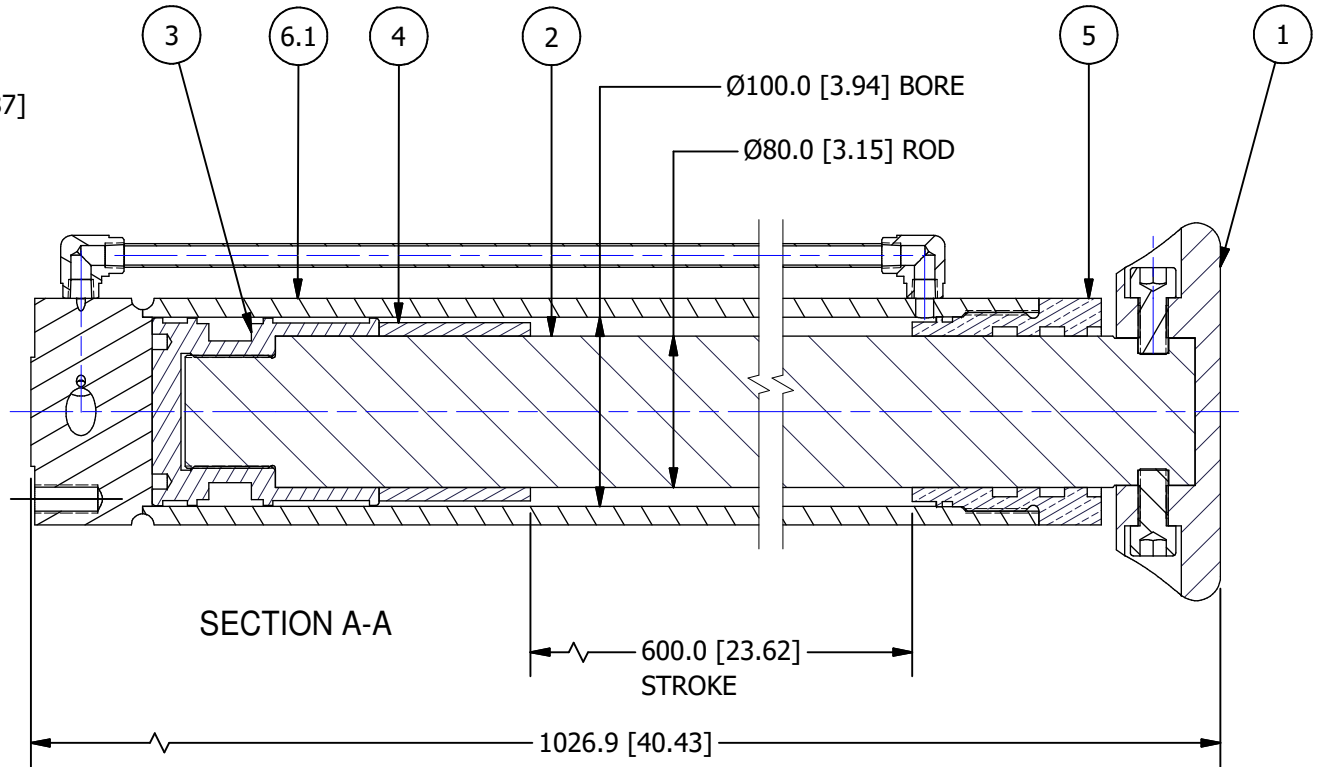
APPROVED BY:

NAME: _____

DATE: _____




Ø200.0 [7.87]



SECTION A-A

600.0 [23.62]
STROKE

1026.9 [40.43]

PART MATL:  TITAN WORLDWIDE INC. <small>701 MONTREAL STREET THUNDER BAY, ON P7E 3P2 CANADA TEL: 807-474-5337 FAX: 807-623-5692 www.titanworldwide.com</small>	MATERIAL DESCRIPTION: MACHINING TOLERANCES: <small>XX = ±0.03 X.XX = ±0.01 X.XXX = ±0.005 ; ØX.XXX = ±0.001 BREAK ALL SHARP EDGES: 0.005 - 0.01</small>	CUT LENGTH / BLANK SIZE: + ALLOWANCE	
		DRAWN: PTP DATE: 17/08/2010	ENGINEER:
SHEET SIZE: A	SHEET: 1 OF 10	WEIGHT: N/A	
TITLE: TAMR 55000439A JACK FABRICATION DRAWING			
C.N.C No:			
DRAWING No: TBH_4859			REVISION: A

DATE	INITL	DESCRIPTION	REV

1

2