

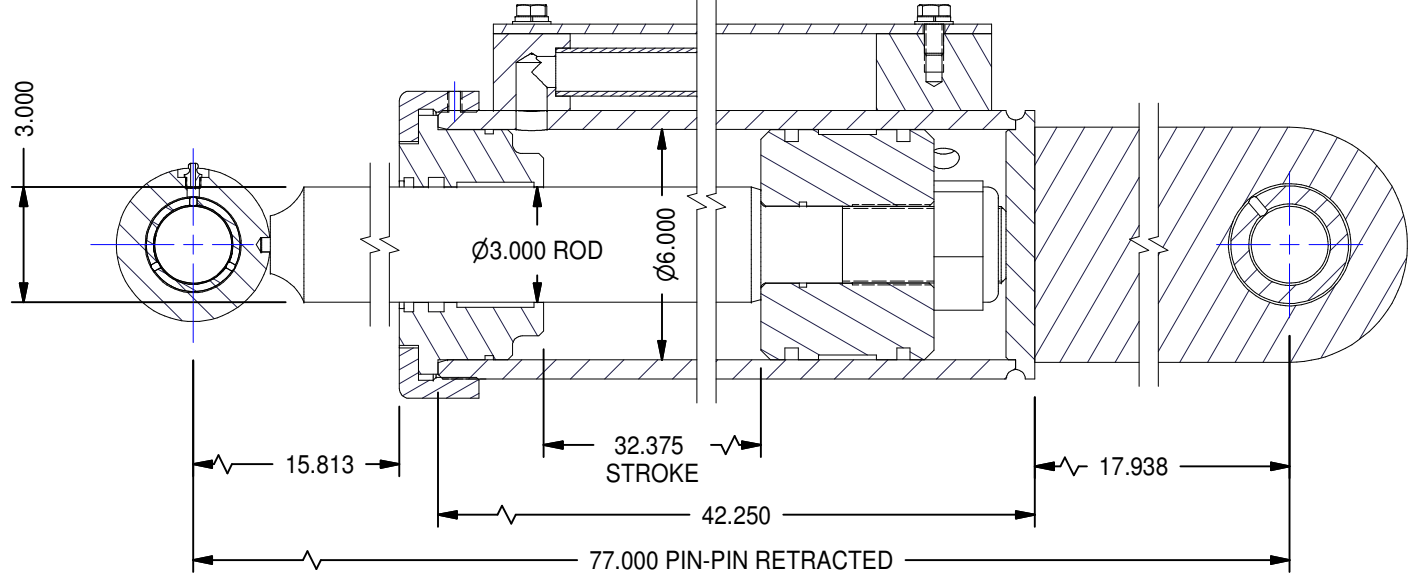
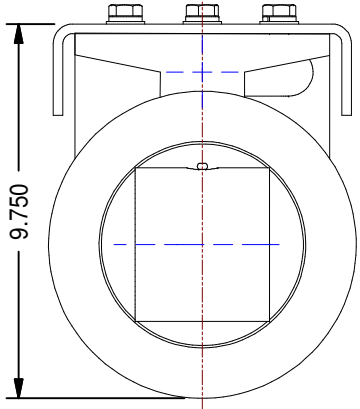
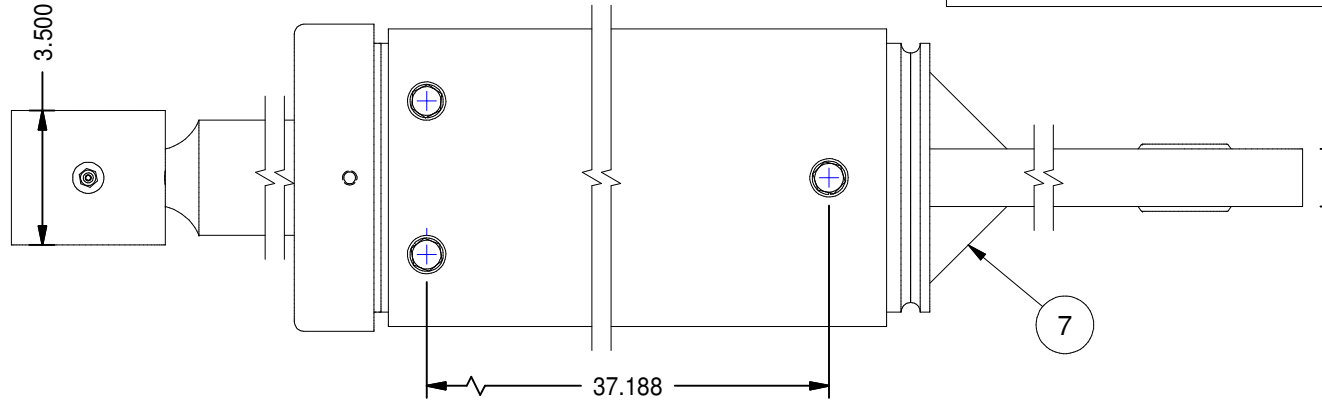
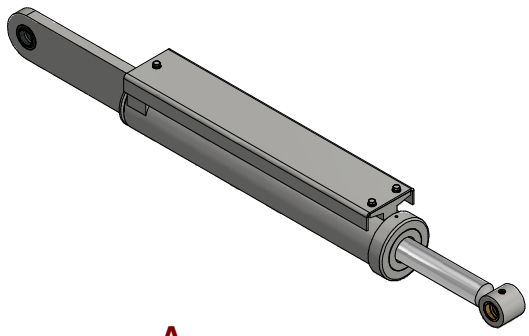
1

2

APPROVED BY:


NAME: _____

DATE: _____



SECTION A-A

MOBILE PARTS 6425 3990
JS 220 DUMP CYLINDER
MPI # 45696

| | | | | | |
|--|--|---|--|--|------------------|
| MODEL NUMBER: | | PROJECT/CUSTOMER INFO: | | OSGND: PTP | DATE: 10/14/2010 |
|  TITAN WORLDWIDE INC. <small>31 rue 5981, Case file # 64253990 in case or power. One that stands out for goodness of performance!</small> | | MOBILE PARTS 64253990 | | CAPACITY | |
| | | WEIGHT: N/A | | SHEET: A SHEET: 1 OF 11 FILENAME: TBH_4969_A.idw | |
| 701 MONTREAL STREET THUNDER BAY, ON P7E 3P2 CANADA TEL: 807-474-5337 FAX: 807-623-5692 www.titanworldwide.com | | TITLE: JS220 DUMP CYLINDER FABRICATION DRAWING | | | |
| DRAWING No: TBH_4969_A | | | | | REVISION: |

| DATE | INITL | DESCRIPTION | REV |
|------|-------|-------------|-----|
| | | | |

1

2