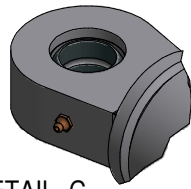
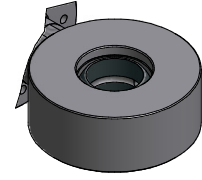


1

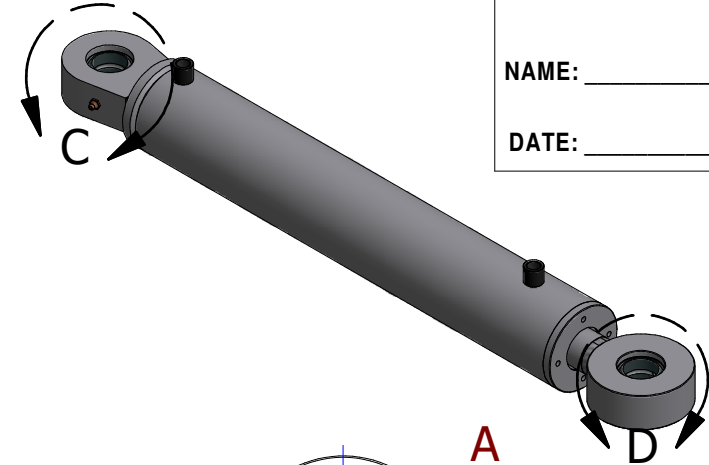
2



DETAIL C



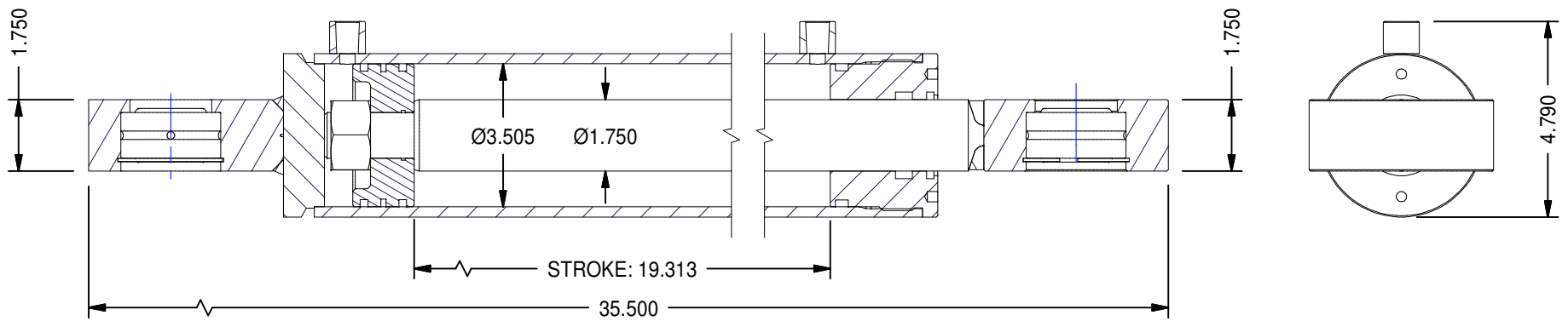
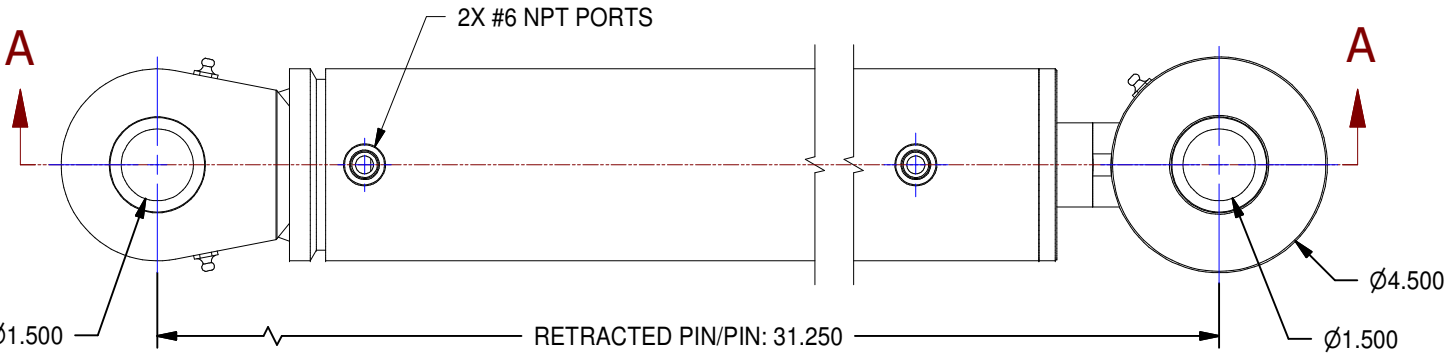
DETAIL D



APPROVED BY:


NAME: _____

DATE: _____



SECTION A-A

DATE	INITL	DESCRIPTION	REV
02/13/2011	W.M	BCLEVIS ROTATED 90 DEG, PORT WAS #8 SAE CHANGED TO #6 NPT	A

MODEL NUMBER: 249430-C		PROJECT/CUSTOMER INFO: MOBILE PARTS PART# 249430-C		DSGND: W.M	DATE: 2/24/2011
 TITAN WORLDWIDE INC. <small>701 MONTREAL STREET THUNDER BAY, ON P7E 3P2 CANADA TEL: 807-474-5937 FAX: 807-623-5692 www.titanworldwide.com</small>		SHEET SIZE: A		SHEET: 1 OF 2	FILENAME: TBH_5024.idw
		TITLE: 913 STEERING CYLINDER FABRICATION DRAWING			
DRAWING No: TBH_5024					REVISION:

1

2