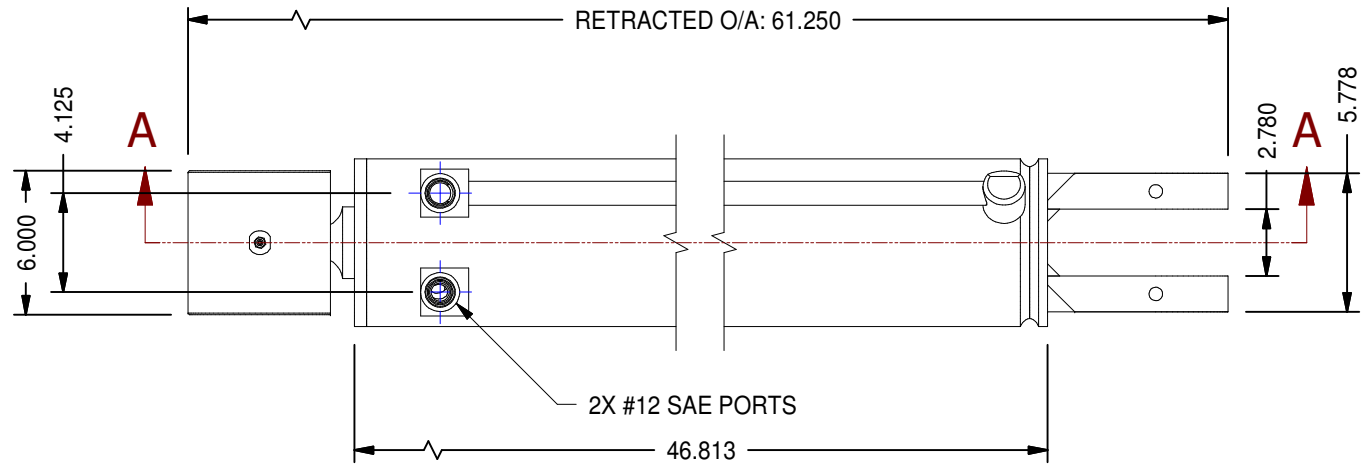


1



2

A

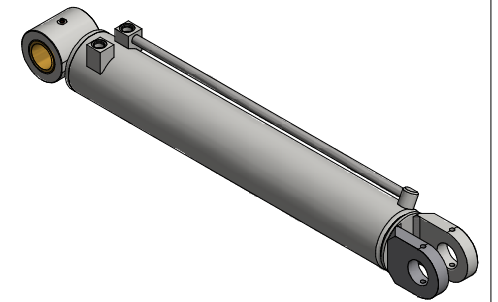


APPROVED BY:

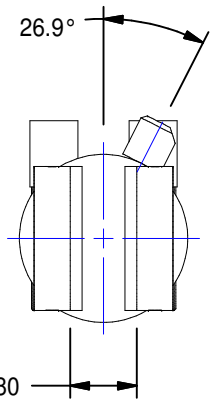
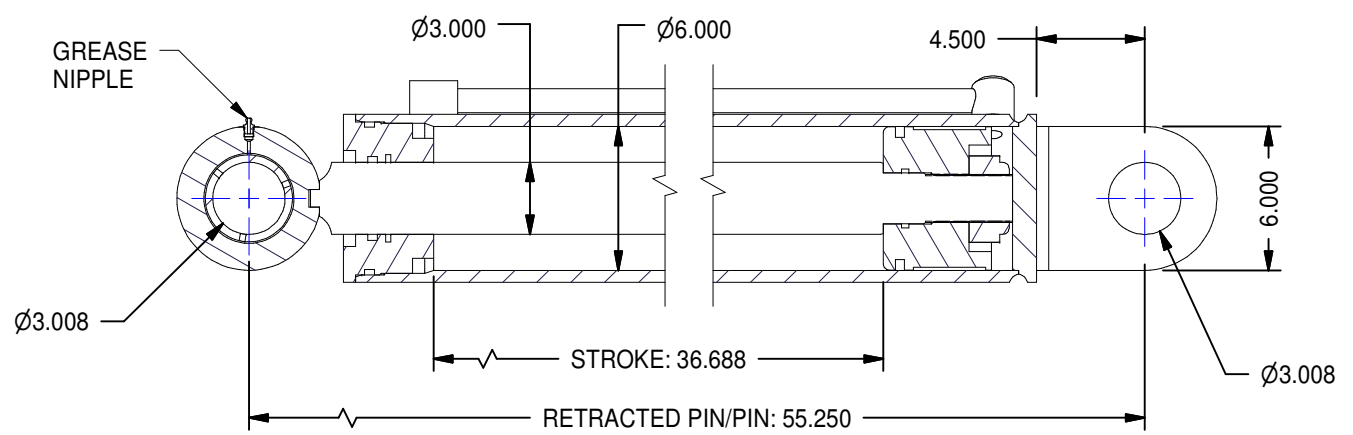
NAME: _____

DATE: _____

NOTE
 THIS CYLINDER WAS DRAWING TO A
 CUSTOMER SAMPLE AND **NOT**
 ENGINEERED AT TITAN WORLD WIDE INC.



A




B

B

SECTION A-A

TITAN SPECIFICATION

BORE: Ø6 IN.
ROD: Ø3 IN.
STROKE: 36.6875 IN.
MODEL: JS 600 HOIST (900-252759)

MODEL NUMBER:		PROJECT/CUSTOMER INFO:		DSGND: W.M	DATE: 2/16/2016
 TITAN WORLDWIDE INC. <small>25 Bay Street, Thunder Bay, ON P7E 3P2, CANADA</small> <small>PHONE: 807-474-5337 FAX: 807-623-5692 EMAIL: info@titanworldwide.com WEB: www.titanworldwide.com</small>		SHEET: A		SHEET: 1 OF 1	
		FILENAME: TBH_5139 APPROVAL.dwg		TITLE: JS 600 HOIST (900-252759)	
DRAWING No: TBH_5139					REVISION:

DATE	INITL	DESCRIPTION	REV

1



2