

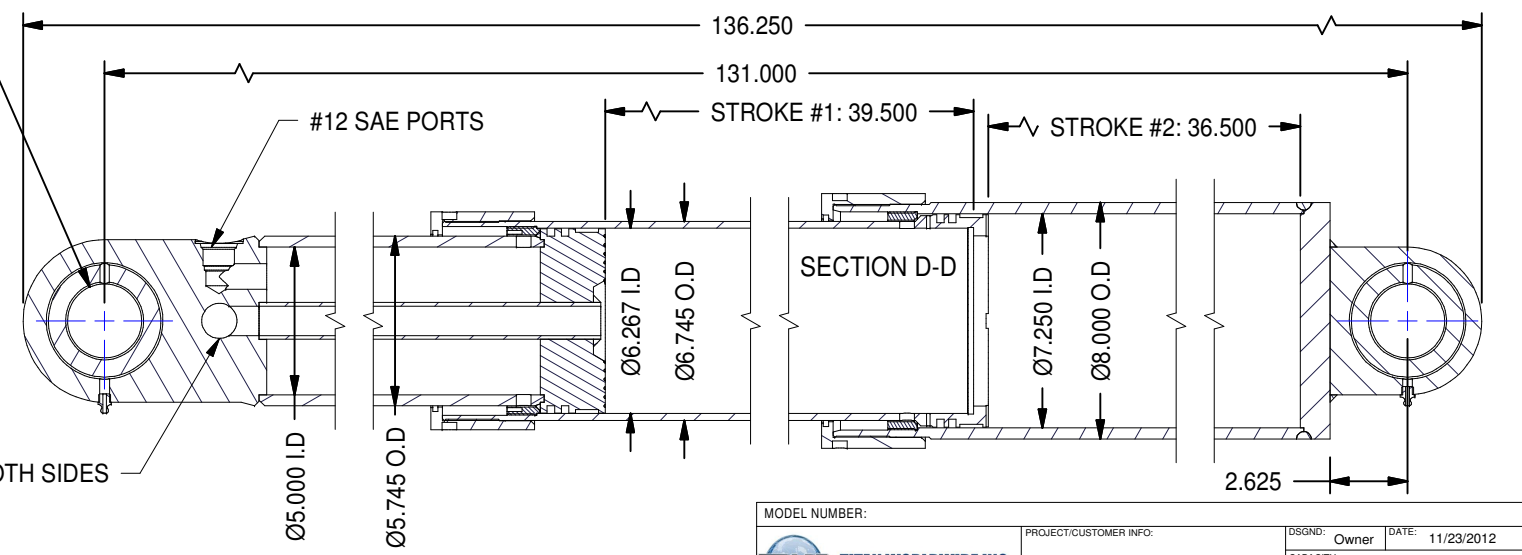
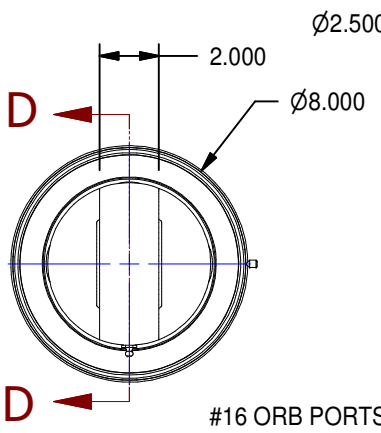
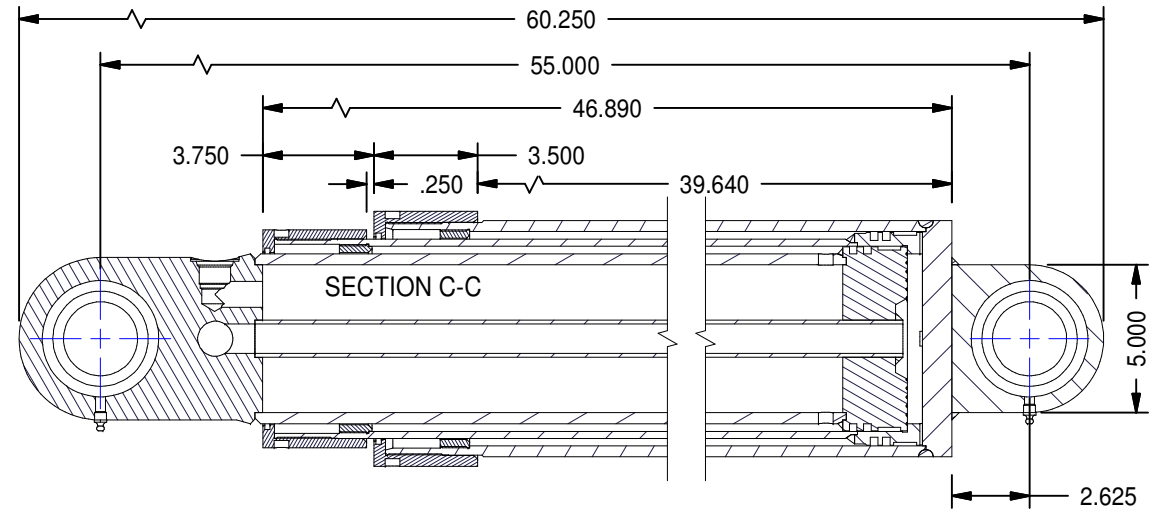
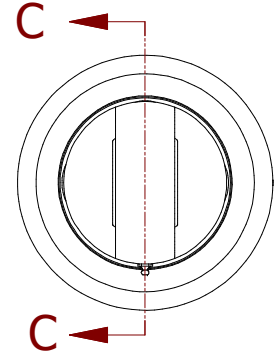
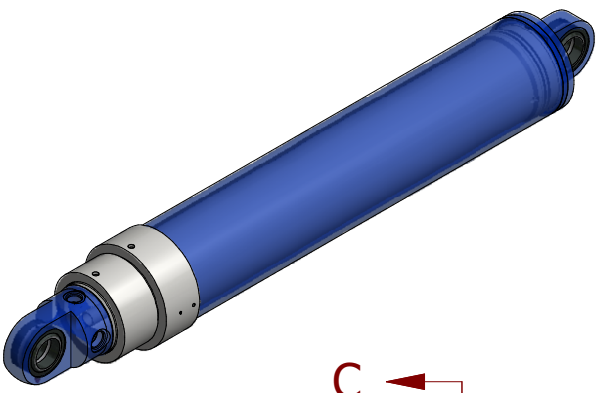
1


2

APPROVED BY:

NAME: _____

DATE: _____



MODEL NUMBER:		PROJECT/CUSTOMER INFO:		DSGND: Owner	DATE: 11/23/2012
 TITAN WORLDWIDE INC. <small>31 Bay Street, Thunder Bay, ON P7E 3P2, CANADA</small> PHONE: 807-474-5337 FAX: 807-623-5692 EMAIL: info@titanworldwide.com WEB: www.titanworldwide.com 701 MONTREAL STREET THUNDER BAY, ON P7E 3P2 CANADA TEL: 807-474-5337 FAX: 807-623-5692 www.titanworldwide.com		CAPACITY		WEIGHT: N/A	
		SHEET SIZE: A		SHEET: 1 OF 2	
DRAWING No:		TITLE: DOUBLE ACTING TELESCOPIC HYD CYL FABRICATION DRAWING			REVISION: A
TBH_5203					

DATE	INITL	DESCRIPTION	REV

1

2