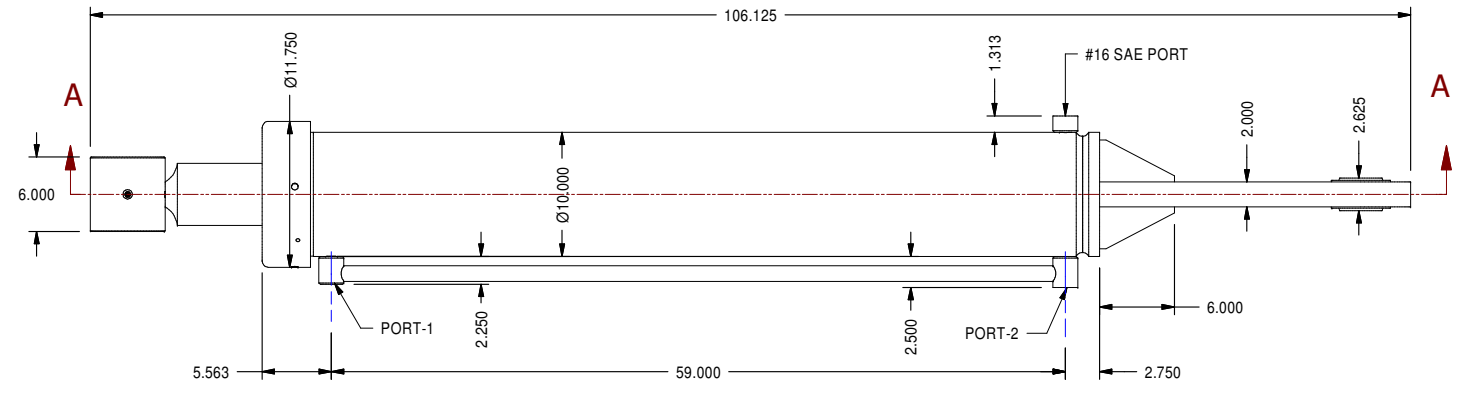


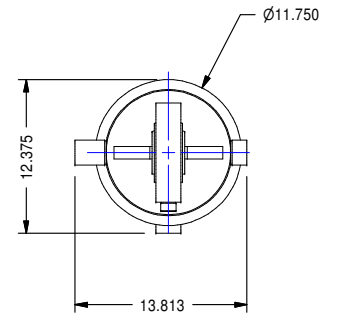
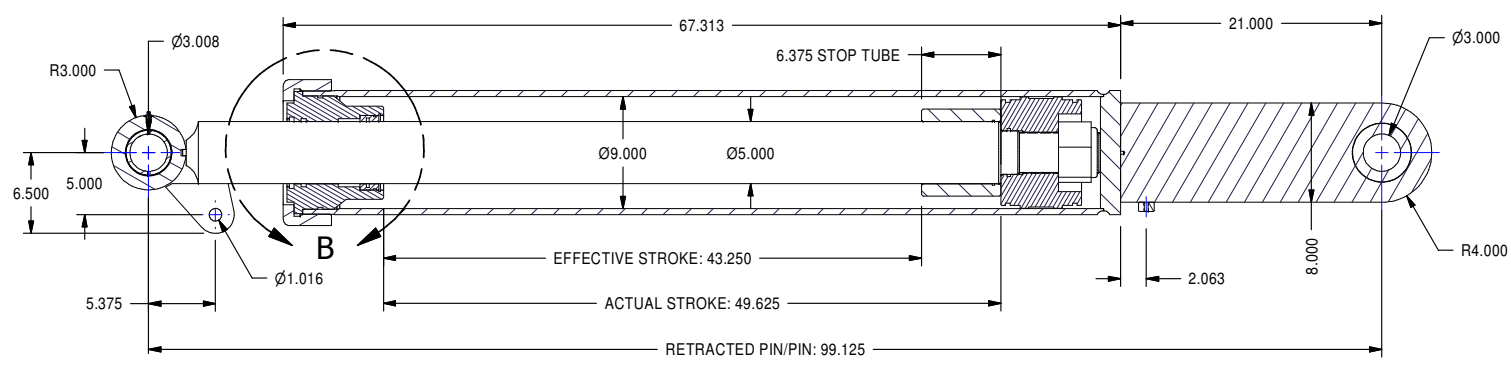
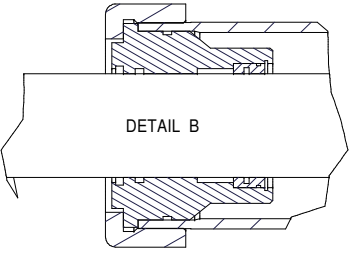
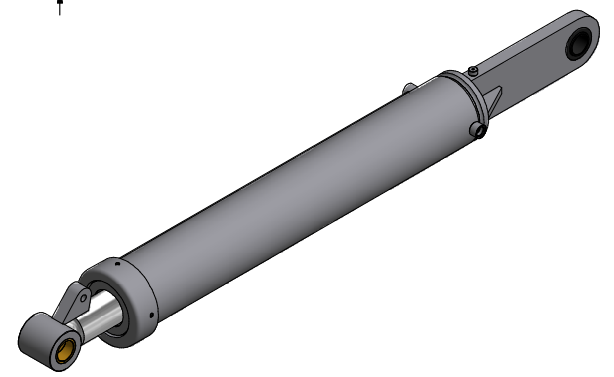
1 2 3 4



APPROVED BY:
 NAME: _____
 DATE: _____

GENERAL NOTE:

CYLINDER HAS SAME STROKE AND PIN/PIN AS TBH_5008.



SECTION A-A

1 2 3 4

DATE	DATE	INTL	DESCRIPTION	REV
20/05/2014	WJM		CYLINDER HAS BEEN UPDATED (SHOP REQUEST)	A

MODEL NUMBER:		PROJECT/CUSTOMER P/F/O:		ISSUED S.K.	DATE: 4/5/2016
				ENGINEER:	CAPACITY:
				WEIGHT: N/A	
SHEET: B	SHEET: 1 OF 1	FILENAME:	TBH_5363 APPROVAL.idw		
TITLE: DUMP CYLINDER (EJC-210)					
FABRICATION DRAWING					
DRAWING No: TBH_5363					REVISION: