

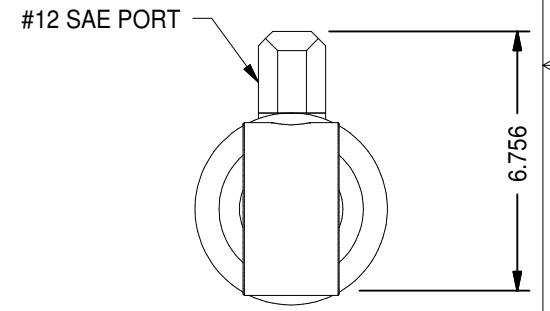
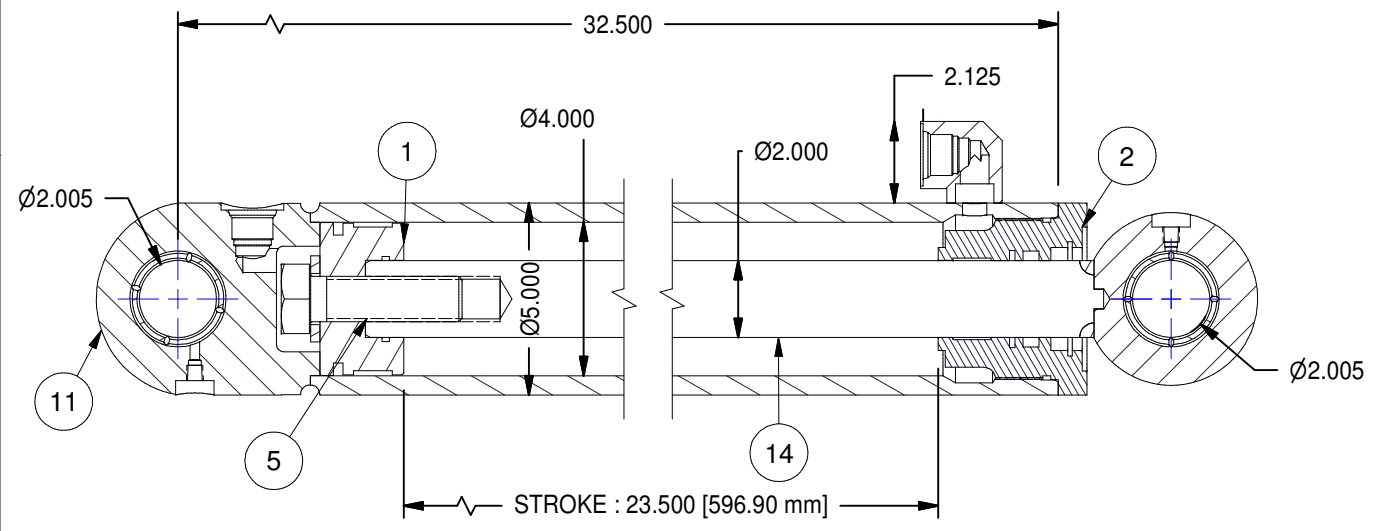
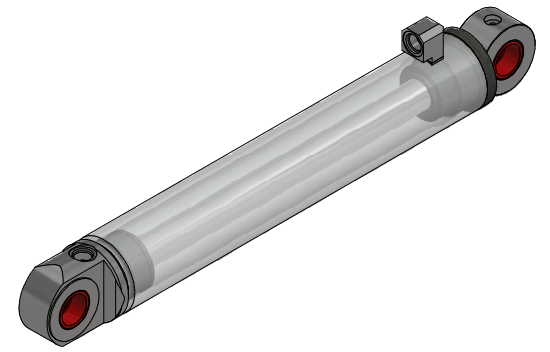
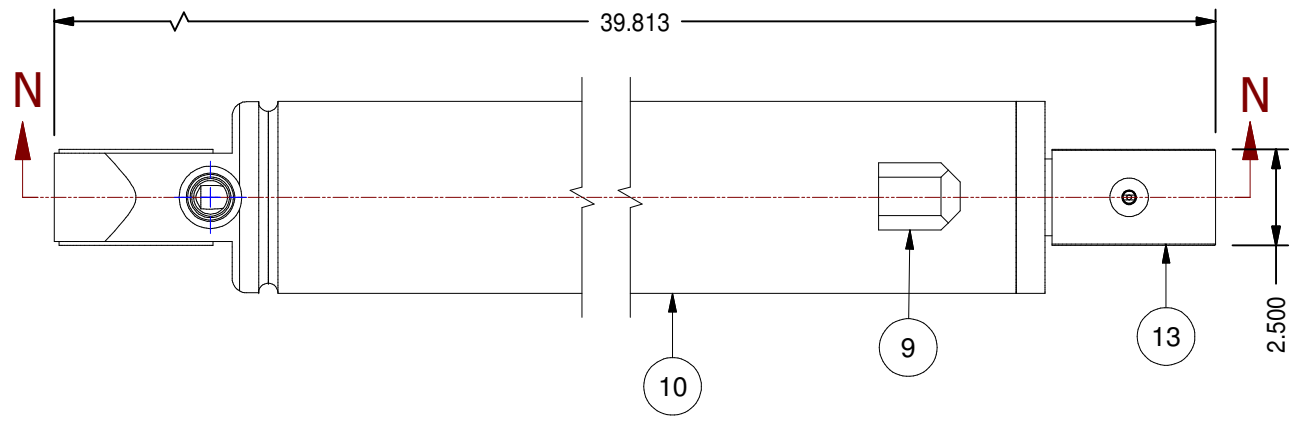
1

2

APPROVED BY:

NAME: _____

DATE: _____




SECTION N-N

TITAN SPECIFICATION:

TYPE: STEERING CYLINDER
BORE: $\varnothing 4$ IN.
ROD: $\varnothing 2$ IN.
STROKE: 23.5 IN.
CAPACITY: 3,000 PSI.

DATE	INITL	DESCRIPTION	REV

MODEL NUMBER:		PROJECT/CUSTOMER INFO:		DSGND: S.K.	DATE: 1/27/2015
 TITAN WORLDWIDE INC. <small>21 Bay Street, Thunder Bay, ON P7E 3P2, CANADA</small> TEL: 807-474-5937 FAX: 807-623-5692 www.titanworldwide.com		ENGINEER:	CAPACITY:	WEIGHT: N/A	
		SHEET: A SHEET: 1 OF 13 FILENAME: TBH_5408.idw			
TITLE:		FABRICATION DRAWING			
DRAWING No:					REVISION:
TBH_5408					

1

2