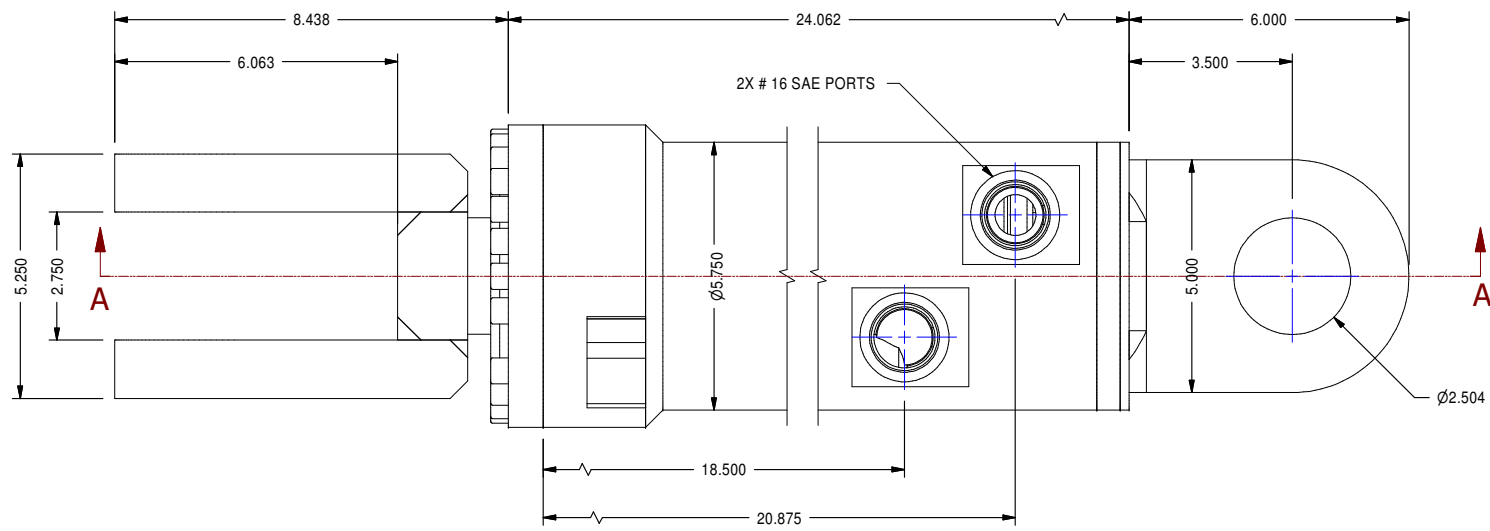


1

2

3

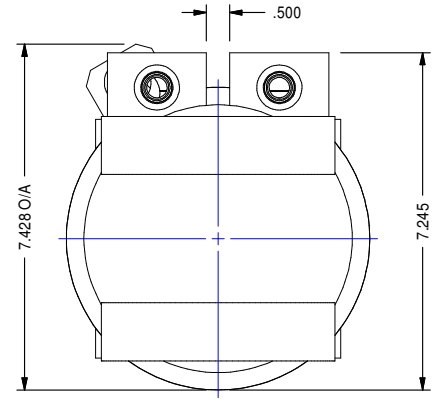
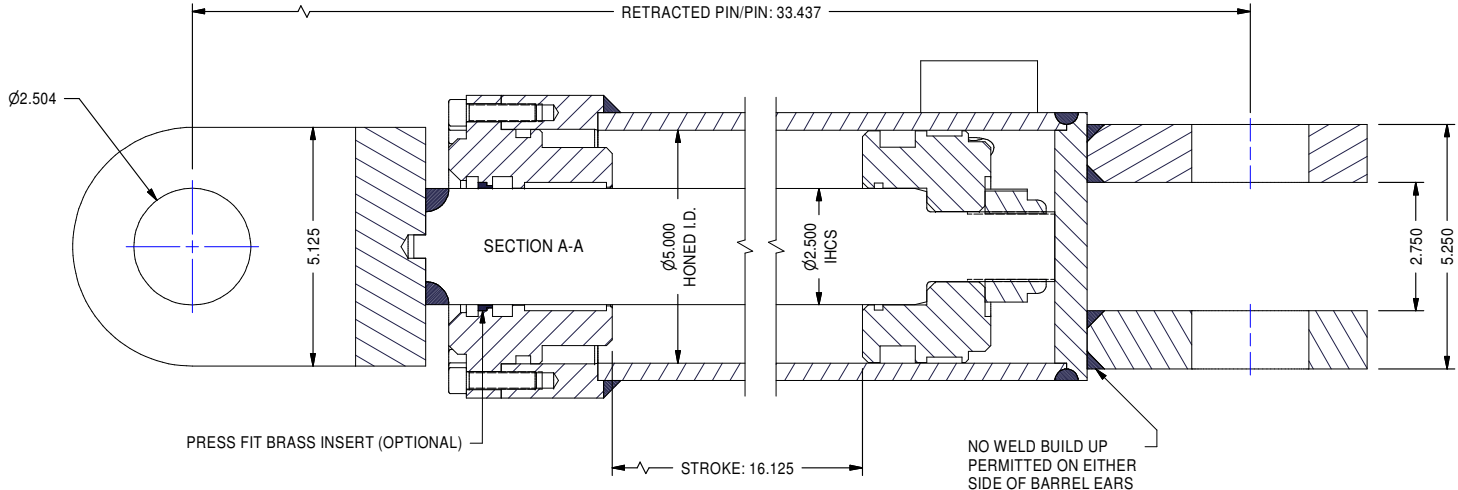
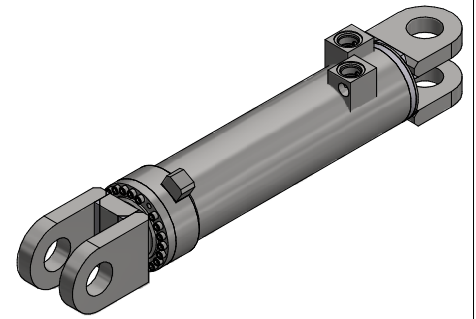
4



APPROVED BY:

NAME: _____

DATE: _____




1

2

3

4

DATE	INTL	DESCRIPTION	REV

MODEL NUMBER: WBG-5B/2.5R-16.125S-X-16TH  TITAN WORLDWIDE INC. <small>10000 Highway 100, Unit 100, Thunder Bay, ON P7E 3P2 CANADA TEL: 807-474-5337 FAX: 807-423-9650 www.titanworldwide.com</small>		PROJECT/CUSTOMER REF: KLONDECK MINES ENGINEER: design@titanworldwide.com WEIGHT: N/A	ORDER DATE: 8/2/2016 CAPACITY: REVISION:
SHEET: B SIZE: 11x17 SHEET 1 OF 18 FILENAME: TBH_5779.kdw		TITLE: WBG-5B/2.5R-16.125S-X-16TH FABRICATION DRAWING	
DRAWING No: TBH_5779		REVISION:	